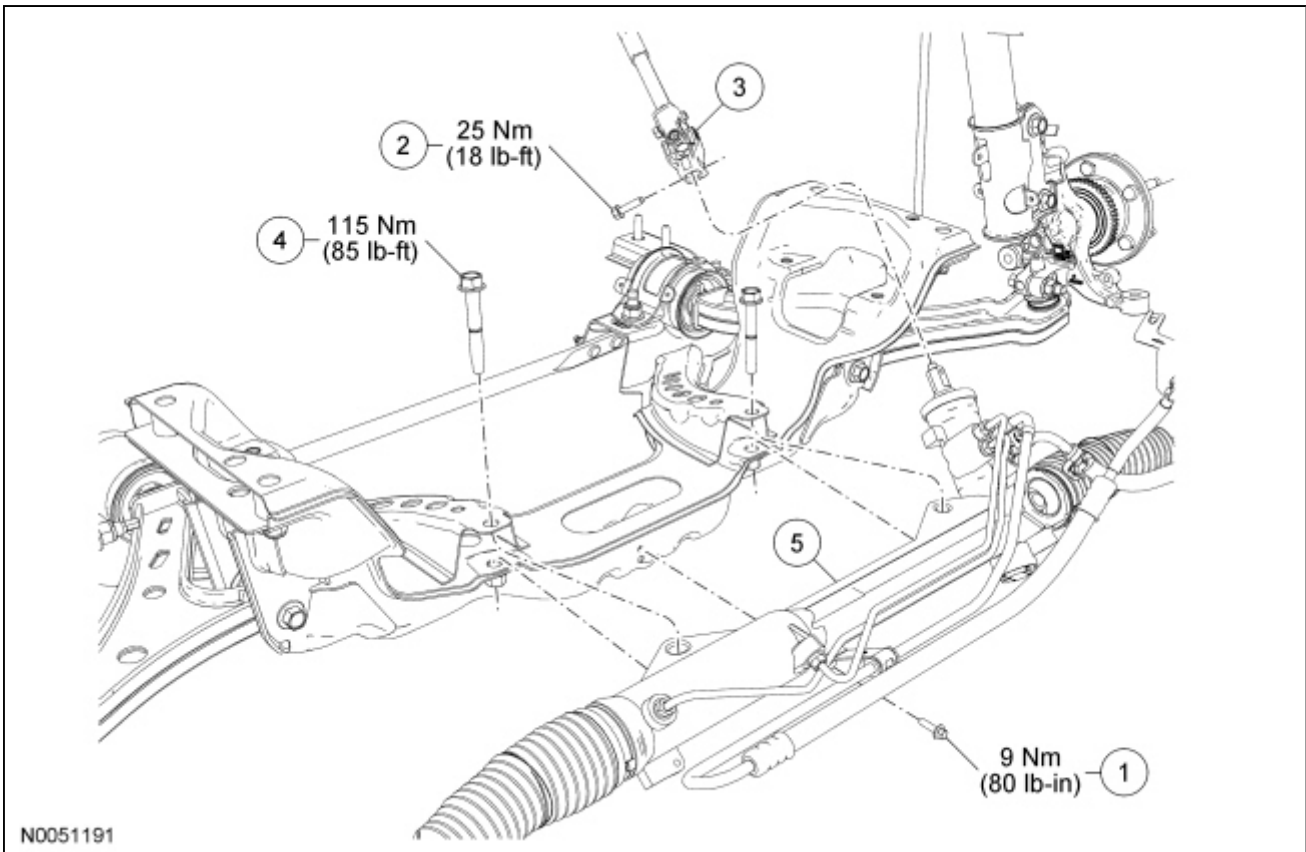


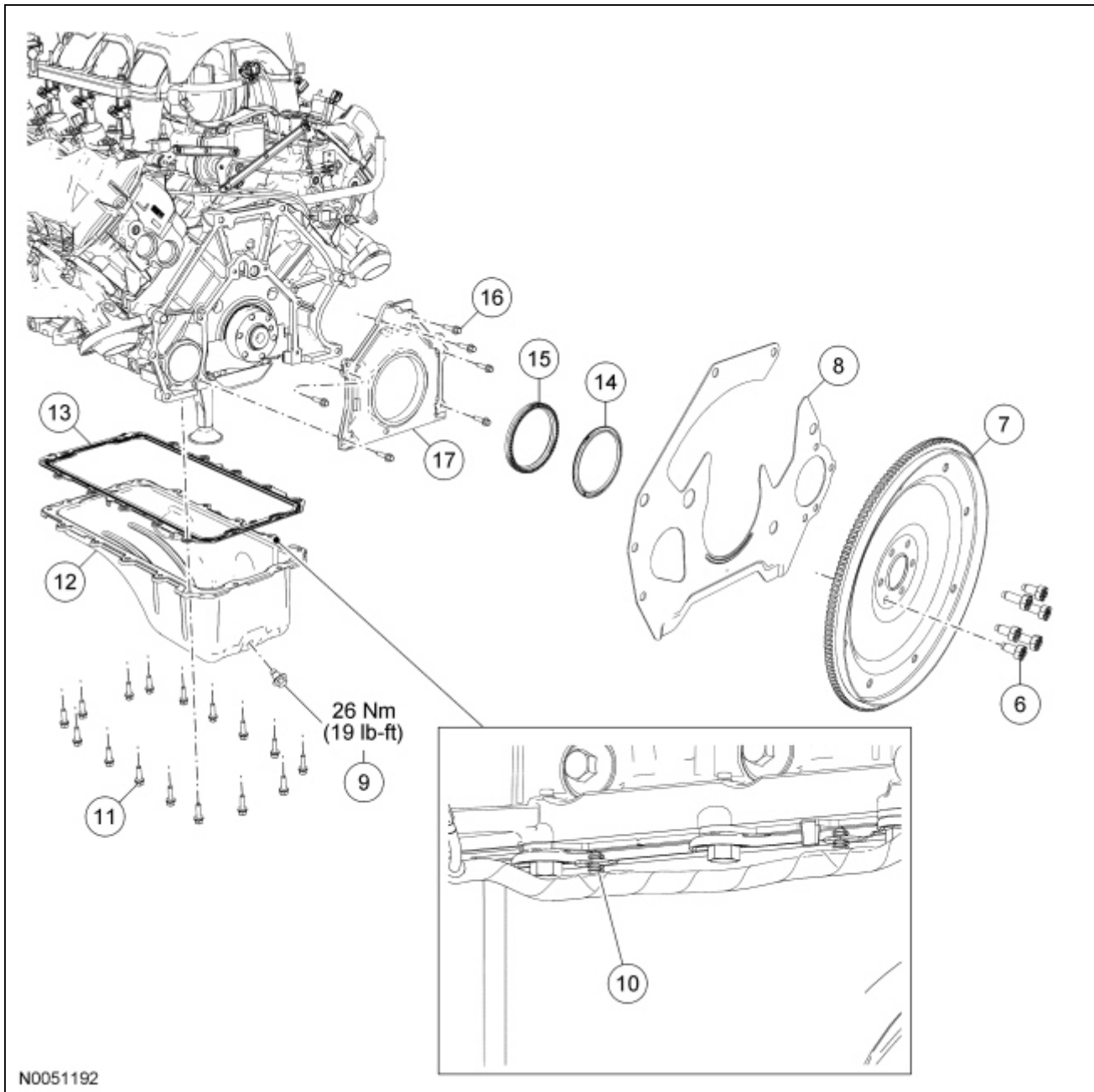
## Lower End Components — Exploded View, Flexplate, Flywheel and Crankshaft Rear Seal

### Steering Gear, Steering Column Coupling and Power Steering Pressure Tube



Item	Part Number	Description
1	W505255	Power Steering Pressure (PSP) tube bracket-to-crossmember bolt
2	W704980	Steering column coupling-to-steering gear pinch bolt
3	3N725	Steering column coupling
4	W710909	Steering gear bolt (2 required)
5	3200	Steering gear

### Flywheel/Flexplate Oil Pan and Crankshaft Rear Seal



N0051192

Item	Part Number	Description
6	6379	Flywheel/flexplate bolt (6 required)
7	6375	Flywheel/flexplate
8	6A373	Engine-to-transmission spacer plate
9	6730	Oil pan drain plug
10	—	Pin-type retainer (part of 12B637) (2 required)
11	W701605	Oil pan bolt (16 required)
12	6675	Oil pan
13	6710	Oil pan gasket
14	6310	Crankshaft oil slinger
15	6701	Crankshaft rear seal
16	N806155	Crankshaft rear seal retainer plate bolt (6 required)
17	6K318	Crankshaft rear seal retainer plate

1. For additional information, refer to the procedures in this section.

